

THIS DRAWING IS UNPUBLISHED. RELEASED FOR PUBLICATION
 © COPYRIGHT BY TYCO ELECTRONICS CORPORATION. ALL RIGHTS RESERVED.

| | | | | | | | |
|-----|------|-----------|-----|-------------|--------|-----|------|
| LOC | DIST | REVISIONS | | | | | |
| FT | 0 | P | LTR | DESCRIPTION | DATE | DWN | APVD |
| | | | 0 | RELEASED | 8/6/03 | SS | CR |

NOTES:

MATERIAL:

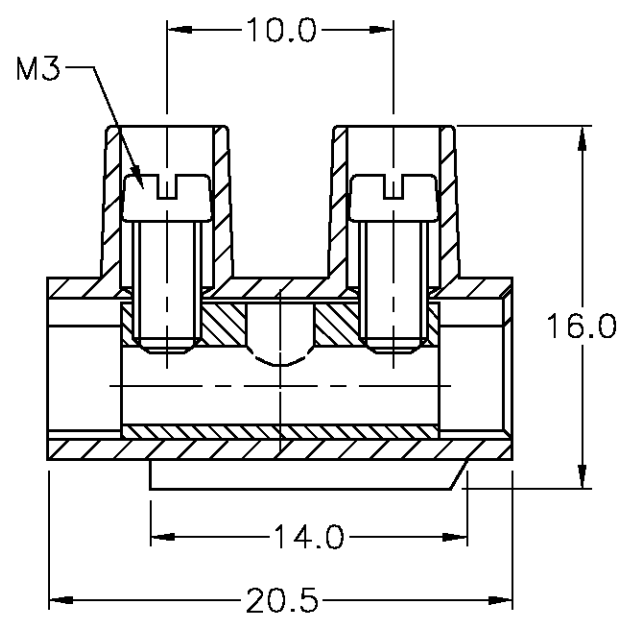
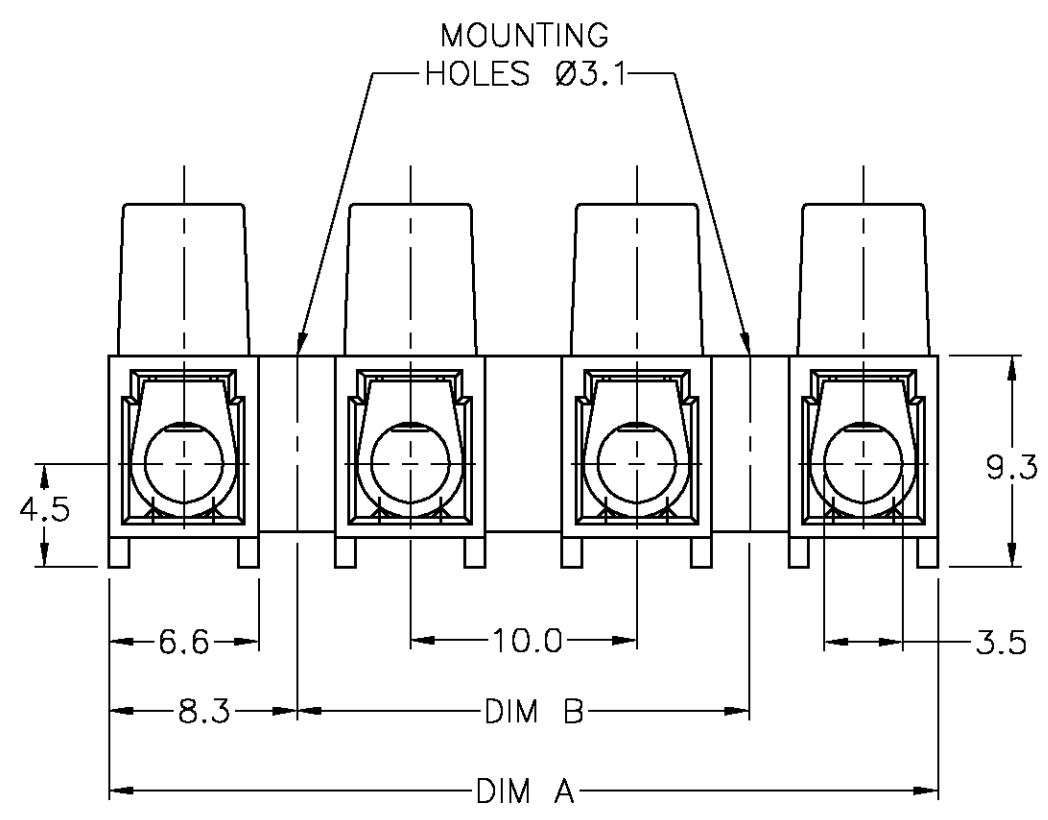
HOUSING: POLYAMIDE 6, UL94V-2, NATURAL (OFF WHITE)
 CONTACT: BRASS, TIN PLATED.
 SCREW: M3, STEEL, ZINC W/ CHROMATE PLATED.

ELECTRICAL:

CURRENT RATING: 30A.
 OPERATING VOLTAGE: 250V.
 WIRE RANGE: 10-22 AWG.
 DIELECTRIC WITHSTAND: 3500V.

ENVIRONMENT:

CONTINUOUS WORKING TEMP.: -35°C TO +100°C



| | | | | |
|-------|-------|-------------|----------------|------------------|
| 100 | 116.6 | 12 | TSB500 1231 | 2-1437388-3 |
| 90 | 106.6 | 11 | TSB500 1131 | 1546304-1 |
| 80 | 96.6 | 10 | TSB500 1031 | 2-1437388-1 |
| 70 | 86.6 | 9 | TSB500 0931 | 1-1437388-9 |
| 60 | 76.6 | 8 | TSB500 0831 | 1-1437388-7 |
| 50 | 66.6 | 7 | TSB500 0731 | - |
| 40 | 56.6 | 6 | TSB500 0631 | 1-1437388-4 |
| 30 | 46.6 | 5 | TSB500 0531 | - |
| 20 | 36.6 | 4 | TSB500 0431 | 1-1437388-0 |
| 10 | 26.6 | 3 | TSB500 0331 | 1437388-8 |
| - | 16.6 | 2 | TSB500 0213 | 1437388-6 |
| - | 6.6 | 1 | TSB500 0131 | - |
| DIM B | DIM A | NO. OF POS. | CATALOG NUMBER | TYCO PART NUMBER |

THIS DRAWING IS A CONTROLLED DOCUMENT.

| | | | |
|----------------|--|-----------------------|---|
| DIMENSIONS: MM | TOLERANCES UNLESS OTHERWISE SPECIFIED: | DWN S SCHLEGEL 8/5/03 | BUCHANAN Tyco Electronics Corporation Harrisburg, PA 17105-3608 NAME: EUROPA TERMINAL BLOCK, 10.0mm PITCH, MOUNTING HOLES Ø 3.1 NOT the LATEST REVISION |
| | 0 PLC ± - | CHK C RICHARD 8/6/03 | |
| | 1 PLC ± 0.3 | APVD C RICHARD 8/6/03 | |
| | 2 PLC ± 0.25 | PRODUCT SPEC | |
| | 3 PLC ± - | APPLICATION SPEC | SIZE A3 |
| | 4 PLC ± - | WEIGHT - | CAGE CODE 00779 |
| | ANGLES ± 2' | CUSTOMER DRAWING | DRAWING NO C-1437388-6 |
| MATERIAL - | FINISH - | SCALE NTS | RESTRICTED TO |
| | | SHEET 1 OF 1 | REV 0 |